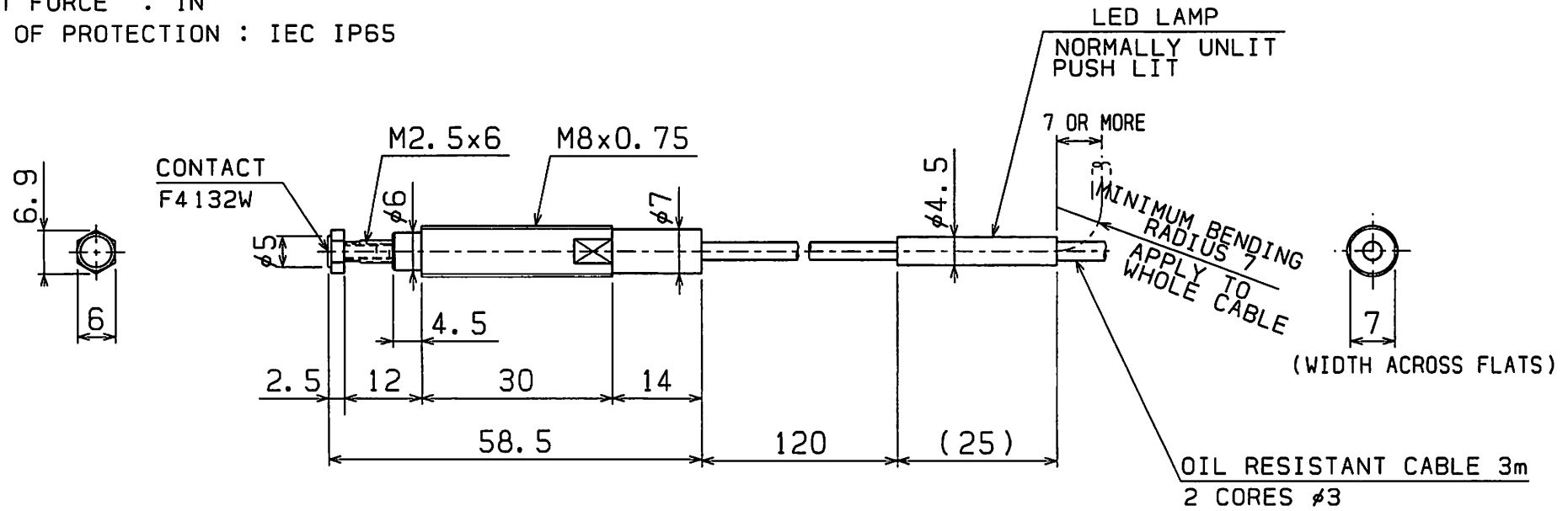
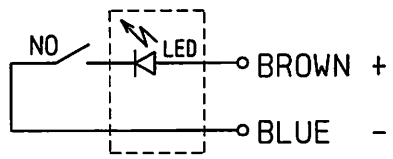


OPERATING MODE : NO(NORMALLY OPEN)
 REPEATABILITY : 0.005mm
 (OPERATING SPEED 50~200mm/min)
 RATING : DC24V 20mA(Max)
 (RECOMMENDED VALUE 10mA)NON-INDUCTIVE LOAD
 BEARING STRUCTURE : METAL BEARING (STRAIGHT TOUCH, WITHIN DEFLECTION ANGLE $\pm 3'$)
 CONTACT : TUNGSTEN CARBIDE $\phi 5$ FLAT
 PRETRAVEL : 0.3mm
 STROKE : 5mm
 CONTACT FORCE : 1N
 DEGREE OF PROTECTION : IEC IP65



⚠ AN EXTRA COVER IS RECOMMENDED TO AVOID DIRECT HIT BY JET OR HIGH-PRESSURE COOLANT.



ACCESSORY
 • HEXAGONAL NUT S628B 2EA
 M8x0.75 (e:11.5 s:10 m:3.2)
 • WRENCH
 *PLEASE TIGHTEN A NUT WITH 7N·m OR LESS.

CHK	DRA	A4	NAME	CS-TOUCH SENSOR
<i>Am</i>	09.12.24 KUZUO	1:1	DRAWING NUMBER	CSK087A-TDWL
			METROL	