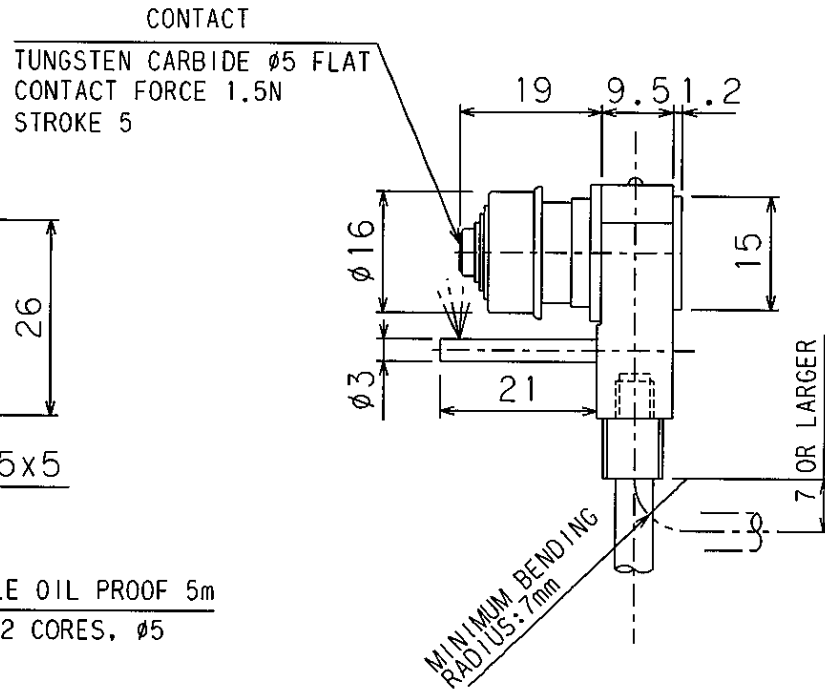
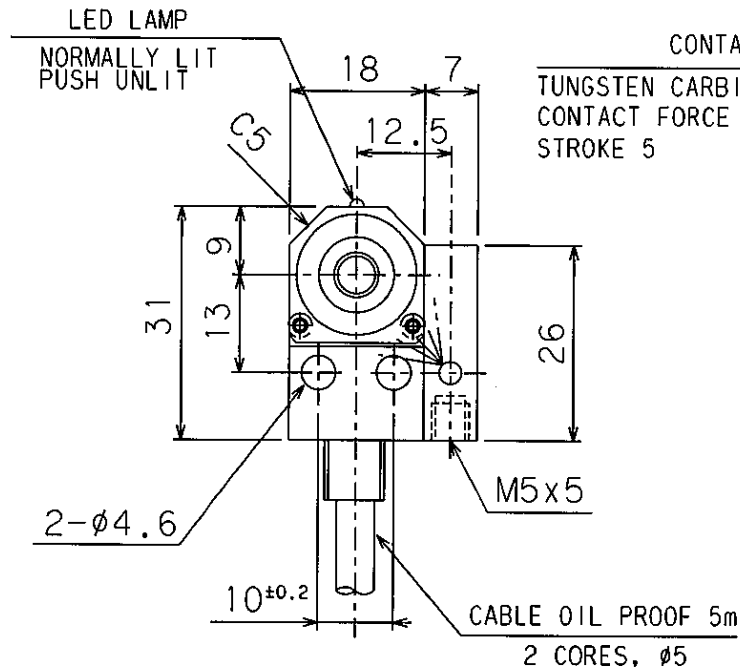
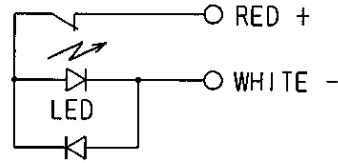


REPEATABILITY OF SKIP SIGNAL : 0.0005mm
 RECOMMENDED OPERATING SPEED : 50~200mm/min
 RATING : DC24V 20mA(Max)
 (RECOMMENDED 10mA) NON-INDUCTIVE LOAD
 DEGREES OF PROTECTION : IEC IP67



A4 1/1				NAME	TOUCH SENSOR
APR	CHK	DRA		DRAWING NUMBER	H1AD-09-01
<i>Am</i>	<i>Kondo</i>	03.3.7 HIJIKATA	1/1		METROL