

REPEATABILITY OF SKIP SIGNAL : 0.001mm

RECOMMENDED OPERATING SPEED : 50~200mm/min

OUTPUT RATING : DC24V 20mA (Max)

(RECOMMENDED 10mA) NON-INDUCTIVE LOAD

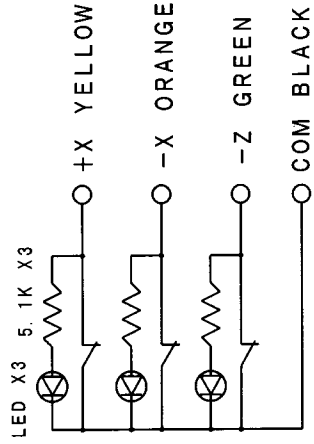
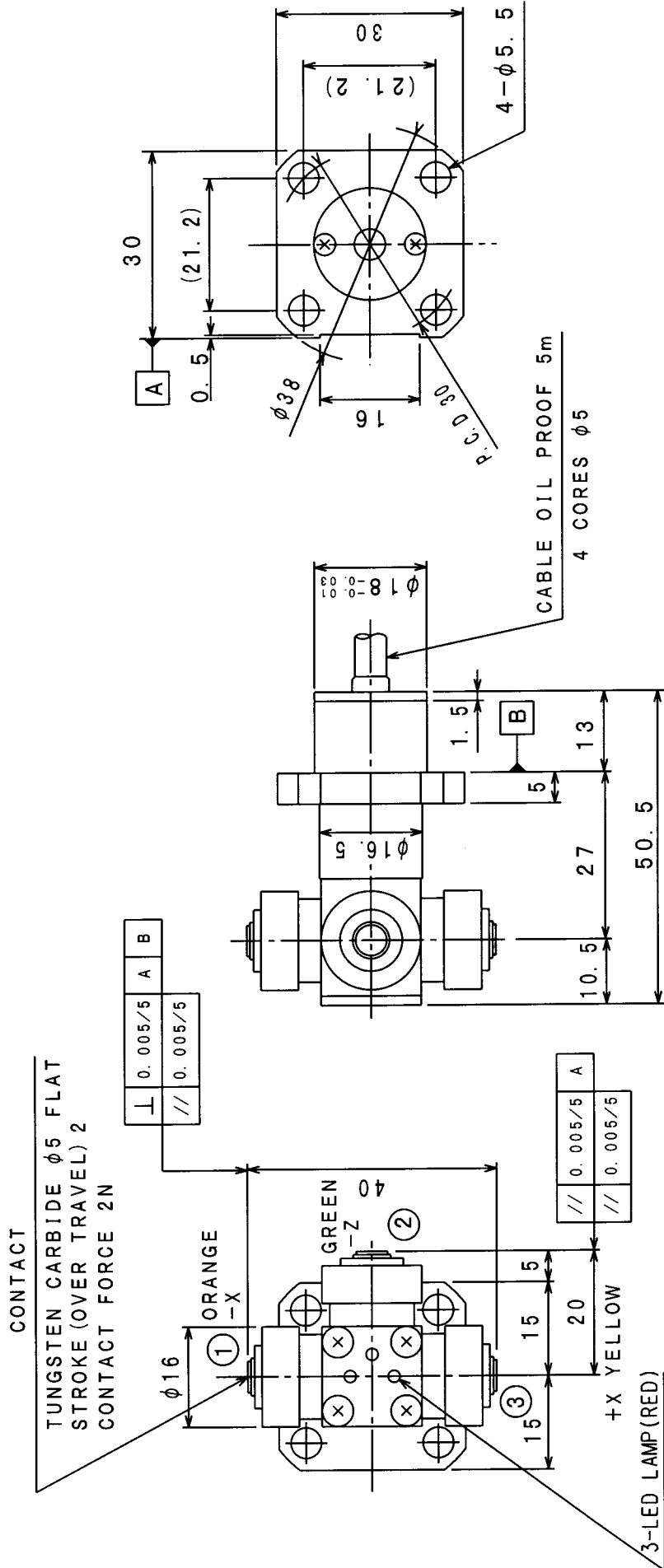
DEGREES OF PROTECTION : IEC IP67

SET NUMBER : H3A-36-04S

H3A-36-04H

COMPOSITION [SENSOR HEAD

POLARITY CONVERTOR UNIT BA-4A



3-LED LAMP (RED)
NORMALLY UNLIT
PUSH LIT

APR	CHK	DRW	NAME	TOOL SETTING PROBE
			DRAWING NUMBER	H3A-36-04S
		02.6.10		
		HIJIKATA		
METROL LTD.			METROL	