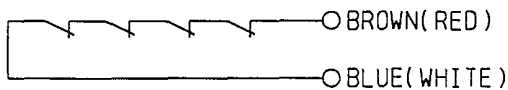
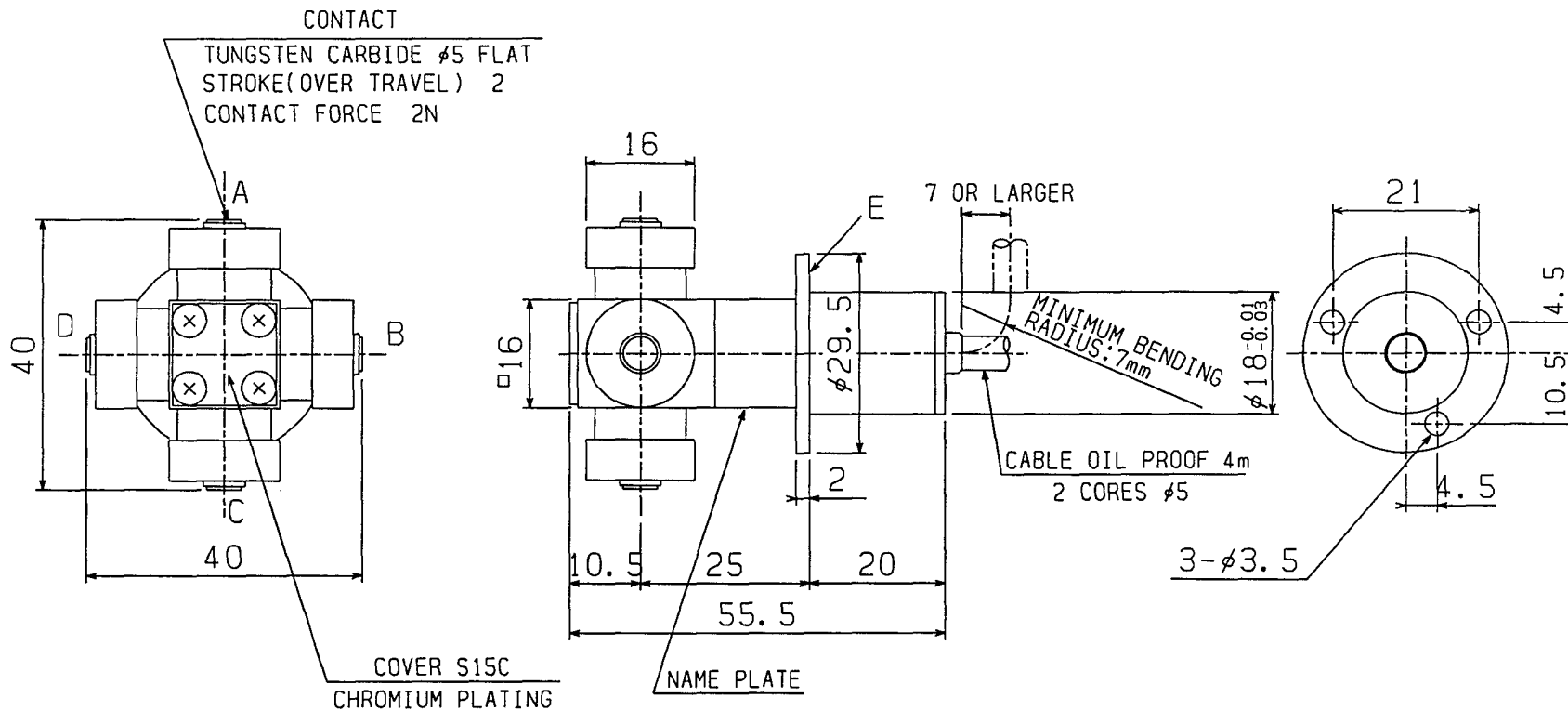


REPEATABILITY OF SKIP SIGNAL : 0.001mm  
 RECOMMENDED OPERATING SPEED : 50~200mm/min  
 RATING : DC24V 20mA(Max)  
 (RECOMMENDED 10mA) NON-INDUCTIVE LOAD  
 DEGREES OF PROTECTION : IEC IP67

PARALLELISM BETWEEN FACE A AND C 0.005/5  
 PERPENDICULARITY BETWEEN FACE A AND B,D 0.005/5  
 PERPENDICULARITY BETWEEN FACE E AND A,B,C,D 0.005/5



CABLE COLORS HAS CHANGED ON 18. JUNE. 2004. RED→BROWN, WHITE→BLUE

A4 1/1			NAME	TOOL SETTING PROBE
APR	CHK	DRA	DRAWING NUMBER	H4A-07-00A
<i>Am</i>	04.6.15 HOSHI YAMA	03.4.2 HIJIKATA	METROL LTD. METROL. LTD	