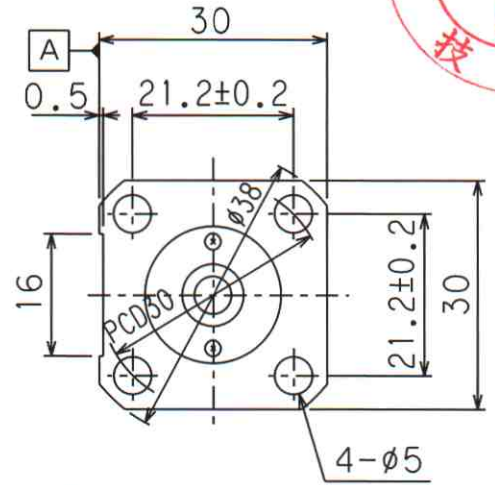
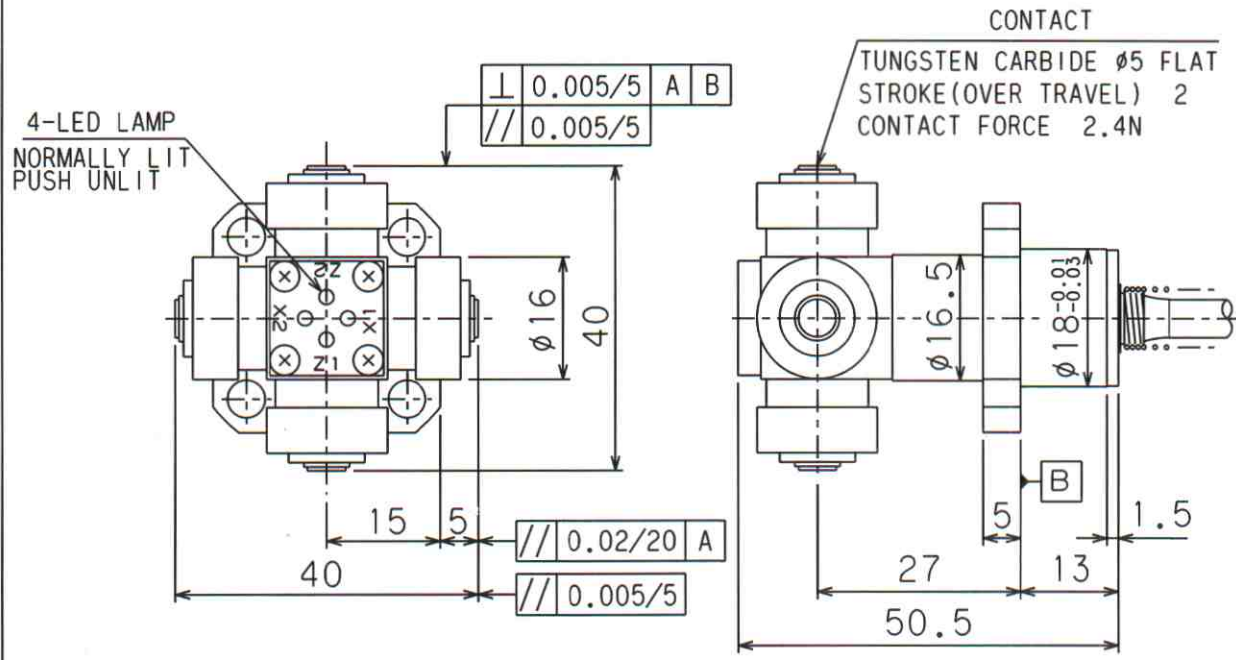


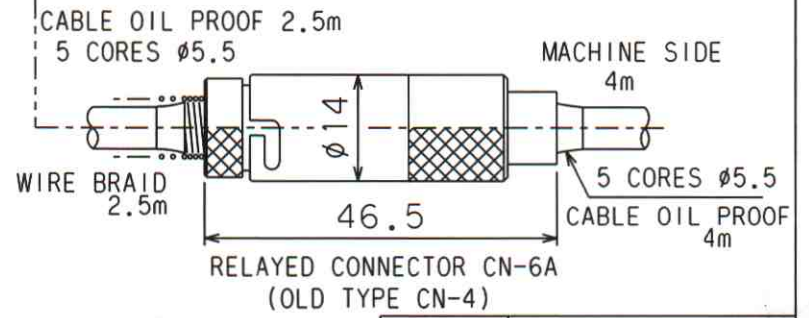
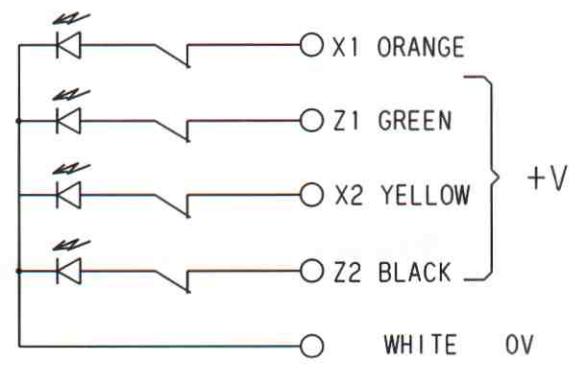
REPEATABILITY OF SKIP SIGNAL : 0.001mm
 RECOMMENDED OPERATING SPEED : 50~200mm/min
 RATING : DC24V 20mA(Max)
 (RECOMMENDED 10mA) NON-INDUCTIVE LOAD
 DEGREES OF PROTECTION : IEC IP67

SET NUMBER: H4A-12-32S

COMPOSITION { SENSOR HEAD H4A-12-32H
 EXTENSION CABLE CA5-4



SENSOR HEAD H4A-12-32H
 EXTENSION CABLE CA5-4



NAME	TOOL SETTING PROBE
DRAWING NUMBER	H4A-12-32S

APR	CHK	DRA
		02.10.28 HIJIKATA

