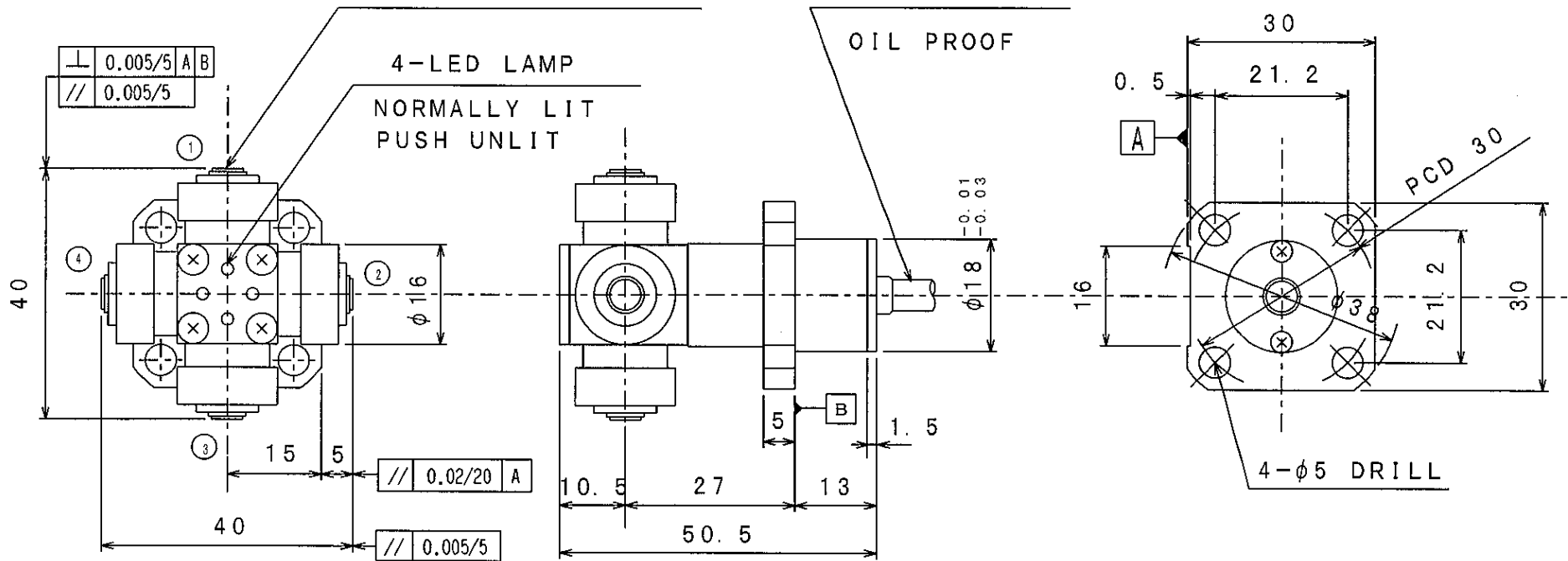


4-φ5 TANGSTEN CARBIDE  
STROK (OVER TRAVEL) 2  
CONTACT FORCE 2N

CABLE 3m  
φ5.5 (5 CORES)



CONTACT MECHANISM:

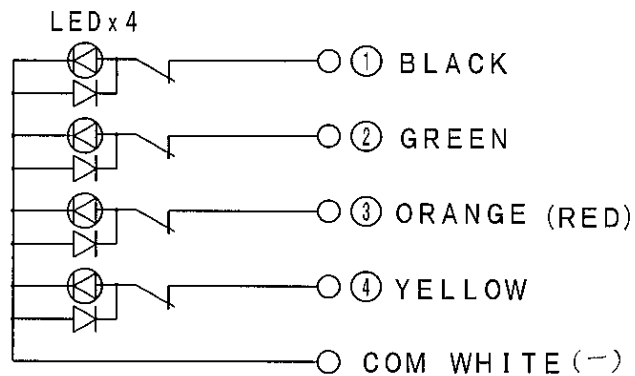
NORMALLY CLOSED

REPEATABILITY OF SKIP SIGNAL :  
0.001mm

RECOMMENDED OPERATING SPEED :  
50~200mm/min

CONTACT RATING : DC12~24V 20mA (Max)  
(RECOMMENDED 10mA) NON-INDUCTIVE LOAD

DEGREES OF PROTECTION :  
IEC IP67



NAME	TOOL SETTING PROBE
DRAWING NUMBER	H4A-12-46

APR	CHK	DRA
		02.4.11
		HIJIKATA

