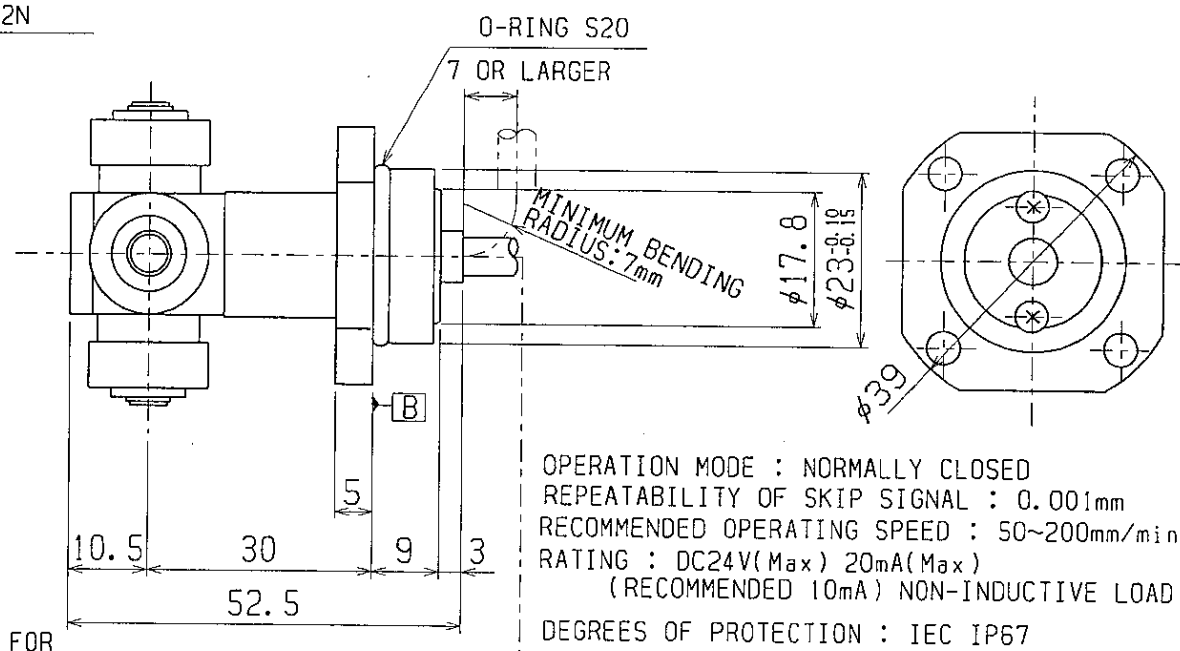
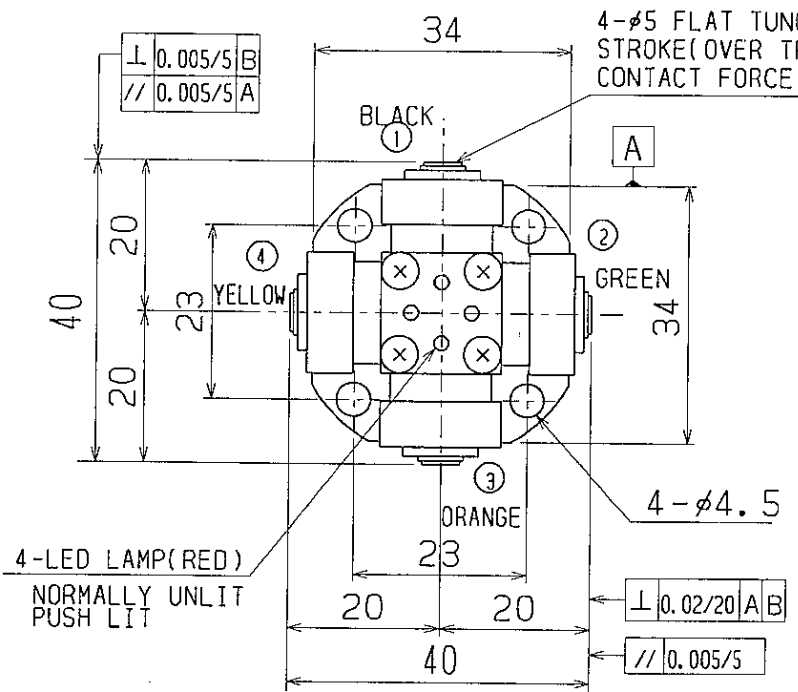
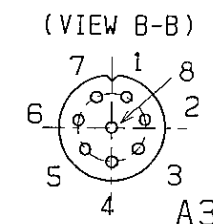


4-#5 FLAT TUNGSTEN CARBIDE
STROKE(OVER TRAVEL) 2
CONTACT FORCE 2N

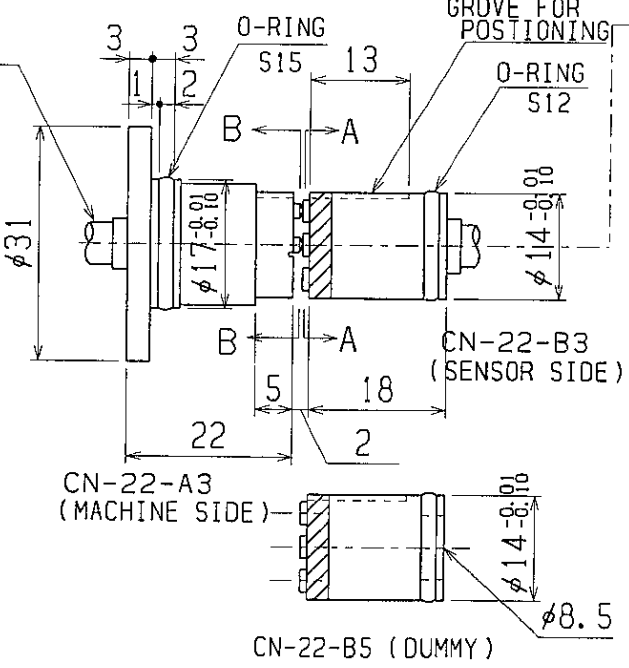


OPERATION MODE : NORMALLY CLOSED
REPEATABILITY OF SKIP SIGNAL : 0.001mm
RECOMMENDED OPERATING SPEED : 50~200mm/min
RATING : DC24V(Max) 20mA(Max)
(RECOMMENDED 10mA) NON-INDUCTIVE LOAD
DEGREES OF PROTECTION : IEC IP67

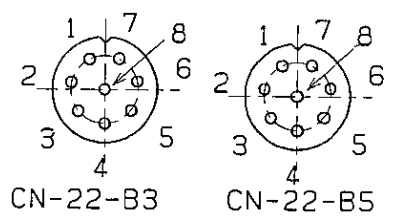
CABLE OIL PROOF
3.5m
SCORES(SHIELD#6.1)



- CN-22-A3
- MARK TUBE
- IN 1 1 RED
 - IN 2 2 BLACK
 - IN 3 3 YELLOW
 - IN 4 4 GREEN
 - COM 5 WHITE
 - CVR 6 BROWN
 - 24NC 7 BLUE
 - CLM 8 GRAY
 - SH J SHIELD

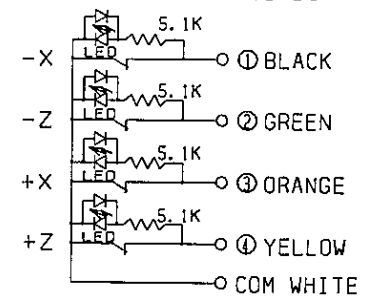


(VIEW A-A) SCORES, #5.5
CABLE OIL PROOF
0.85m



- CN-22-B3
- 1 ORANGE
 - 2 BLACK
 - 3 YELLOW
 - 4 GREEN
 - 5 WHITE
 - 6 N. A
 - 7 CONNECTED
 - 8 CONNECTED
- CN-22-B5
- 1
 - 2
 - 3 CONNECTED
 - 4
 - 5
 - 6 CONNECTED
 - 7
 - 8

SET NUMBER: H4A-18-40-03S
COMPOSITION
H4A-18-40H(WITH B3)
CN-22-A3
CN-22-B5



APR	CHK	DRA
<i>[Signature]</i>		05.02.23 HIJIKATA

	NAME	TOOL SETTING
	DRAWING NUMBER	PROBE
		H4A-18-40-03S
		1/1
		METROL