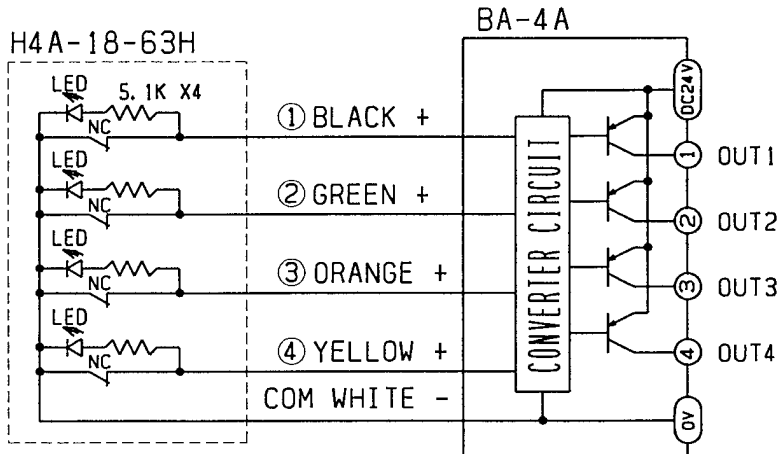
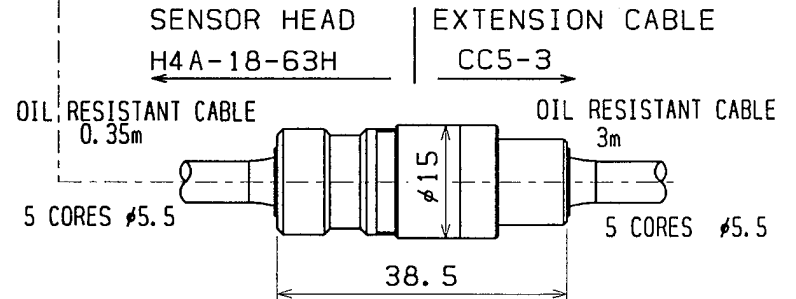
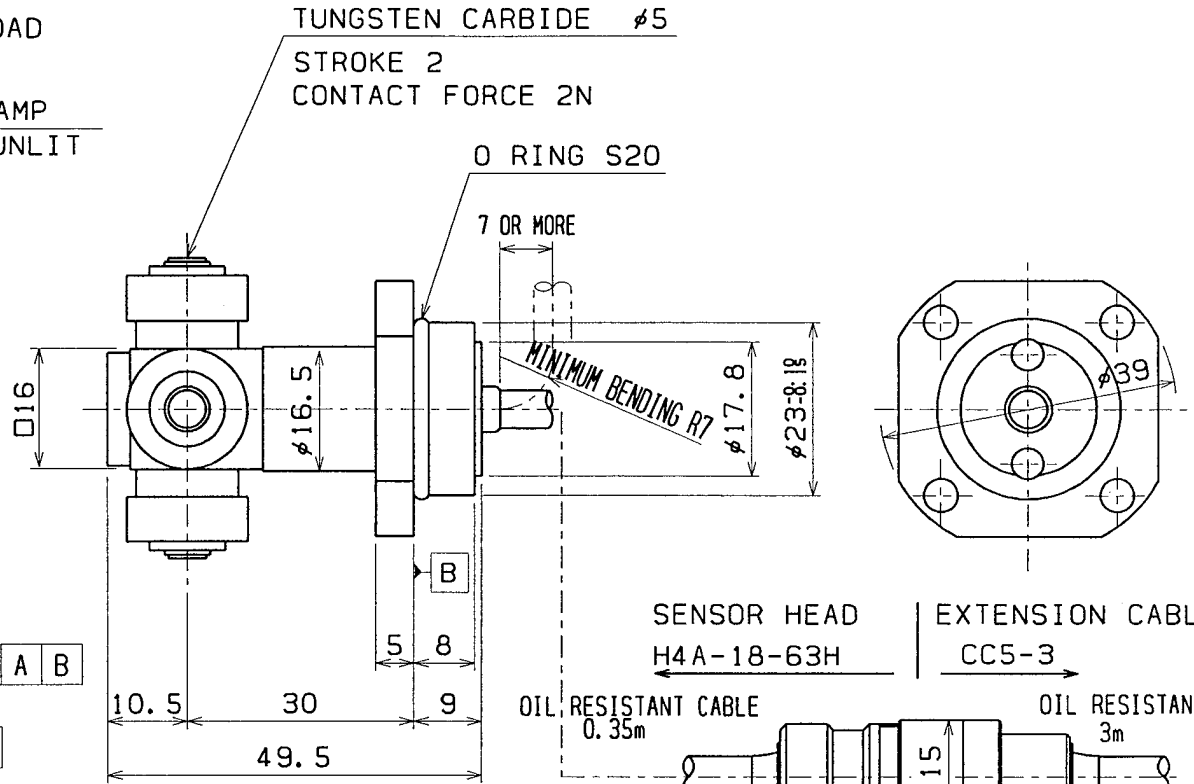
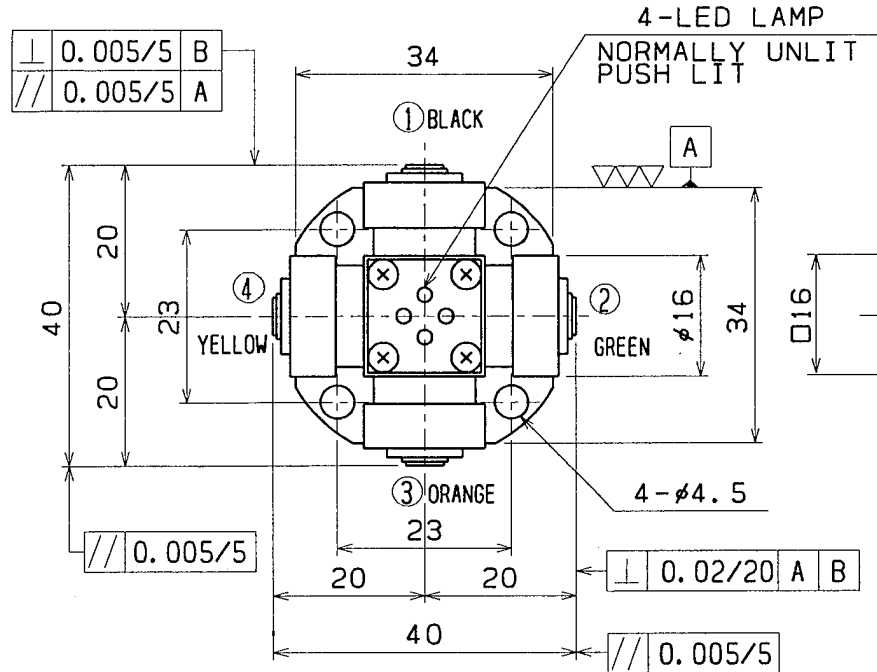


OPERATING MODE : NC(NORMALLY CLOSE)
 REPEATABILITY : 0.001mm
 RECOMMENDED OPERATING SPEED : 50~200mm/min
 RATING : DC24V 20mA(Max)
 (RECOMMENDED VALUE 10mA)NON-INDUCTIVE LOAD
 DEGREE OF PROTECTION : IEC IP67



SET . : H4A-18-63S

COMPOSITION

SENSOR HEAD H4A-18-63H
 EXTENSION CABLE CC5-3
 LEVEL CONVERTER UNIT BA-4A (I/F MODULE)

MINIMUM BENDING RADIUS: 7mm

EXTENSION CONNECTOR CN-6C
 (WITH PROTECTIVE RING)

CHK	CHK	DRA	A4	NAME	TOOL SETTING PROBE
		07.01.17 KUZUO	1:1	DRAWING NUMBER	H4A-18-63S
				METROL CO., LTD.	