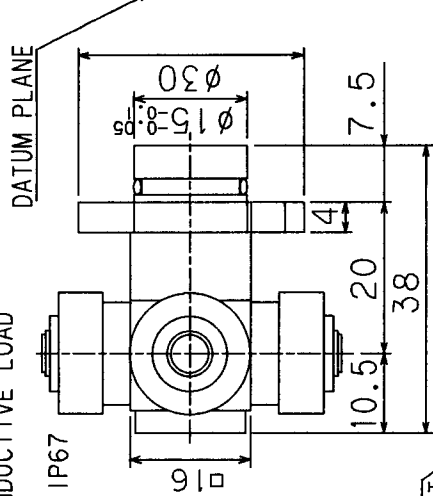
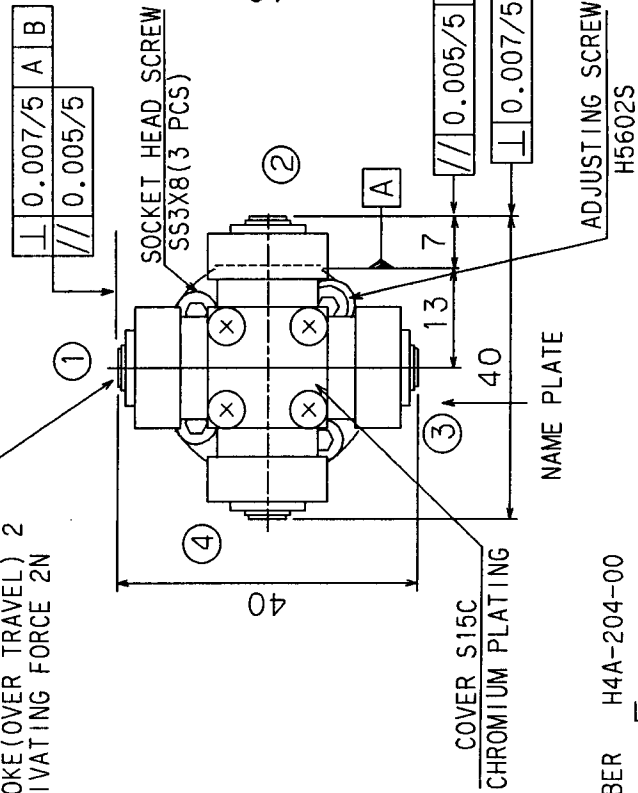


REPEATABILITY OF SKIP SIGNAL : 0.001mm
 RECOMMENDED OPERATING SPEED : 50~200mm/min
 CONTACT RATING : DC12~24V 20mA(Max)
 (10mA RECOMMENDED) NON-INDUCTIVE LOAD
 DEGREES OF PROTECTION : IEC IP67

SENSOR HEAD



CONTACT
 TUNGSTEN CARBIDE φ5 FLAT
 STROKE(OVER TRAVEL) 2
 ACTIVATING FORCE 2N



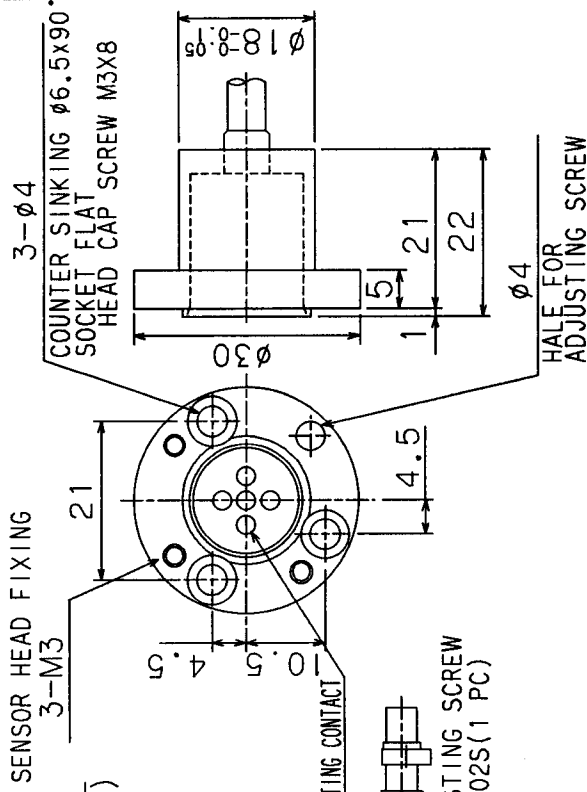
SET NUMBER H4A-204-00

COMPOSITION
 [SENSOR HEAD H5602S
 ARM FLANGE H5602S
 ADJUSTING SCREW 3 PCS
 SOCKET HEAD SCREW 3 PCS SS3X8]

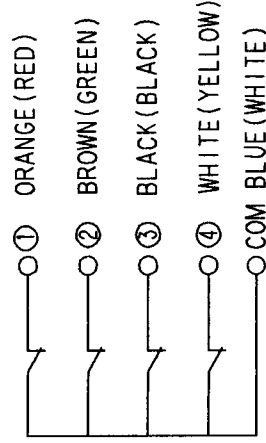
H5602S

H5602S

ARM FLANGE



CABLE OIL PROOF 4m
 5 CORES, φ5



SET NUMBER H4A-204-00

COMPOSITION
 [SENSOR HEAD H5602S
 ARM FLANGE H5602S
 ADJUSTING SCREW 3 PCS
 SOCKET HEAD SCREW 3 PCS SS3X8]

H5602S

H5602S

APR	CHK	DRA	1/1

Am K. SHINAHIJIKATA
 01.11.1

NAME TOOL SETTING
 DRAWING NUMBER H4A-204-00

METROL LTD.