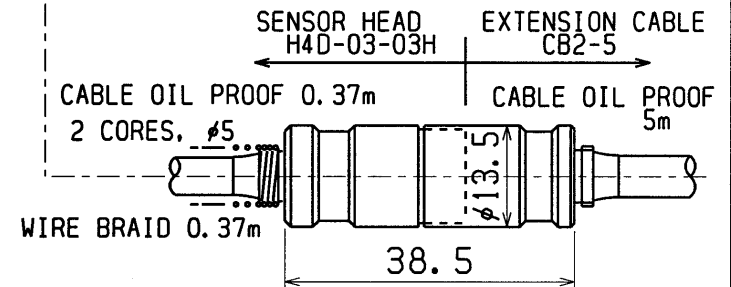
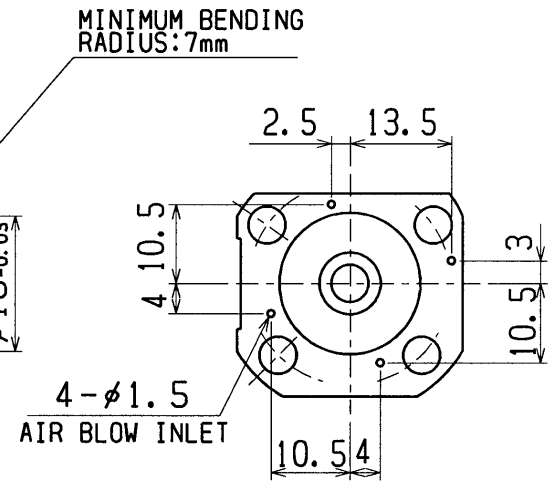
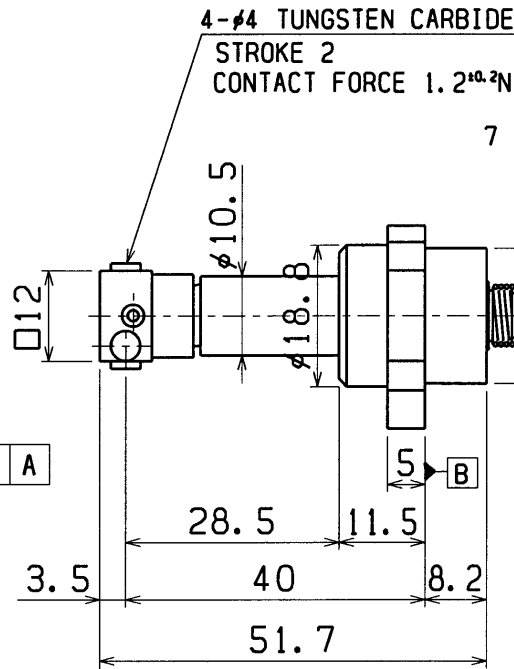
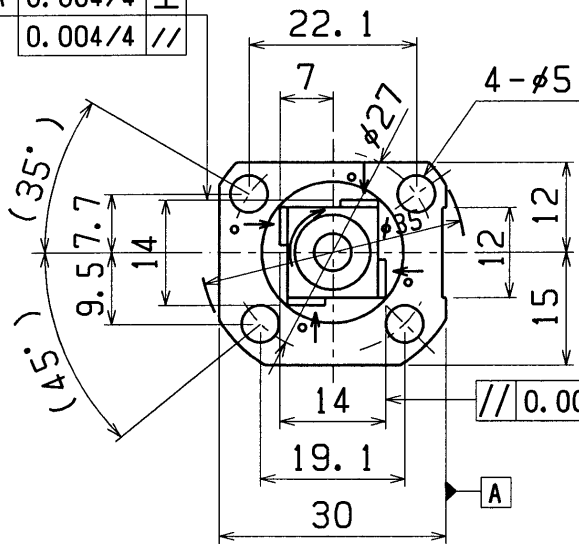


REPEATABILITY OF SKIP SIGNAL : 0.001mm
 RECOMMENDED OPERATING SPEED : 50~200mm/min
 RATING : DC24V 20mA(Max)
 (RECOMMENDED 10mA) NON-INDUCTIVE LOAD
 DEGREES OF PROTECTION : IEC IP67

B	A	0.004/4	⊥
		0.004/4	//



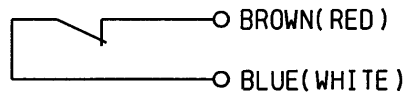
SET NUMBER: H4D-03-03S

COMPOSITION

SENSOR HEAD	H4D-03-03H
EXTENSION CABLE	CB2-5

* MINIMUM BENDING RADIUS: 7mm

RELAIED CONNECTOR CN-2B



APR	CHK	DRA	1/1	NAME	TOOL SETTING
				DRAWING NUMBER	PROBE
				H4D-03-03S	H4D-03-03S
				METROL LTD.	METROL