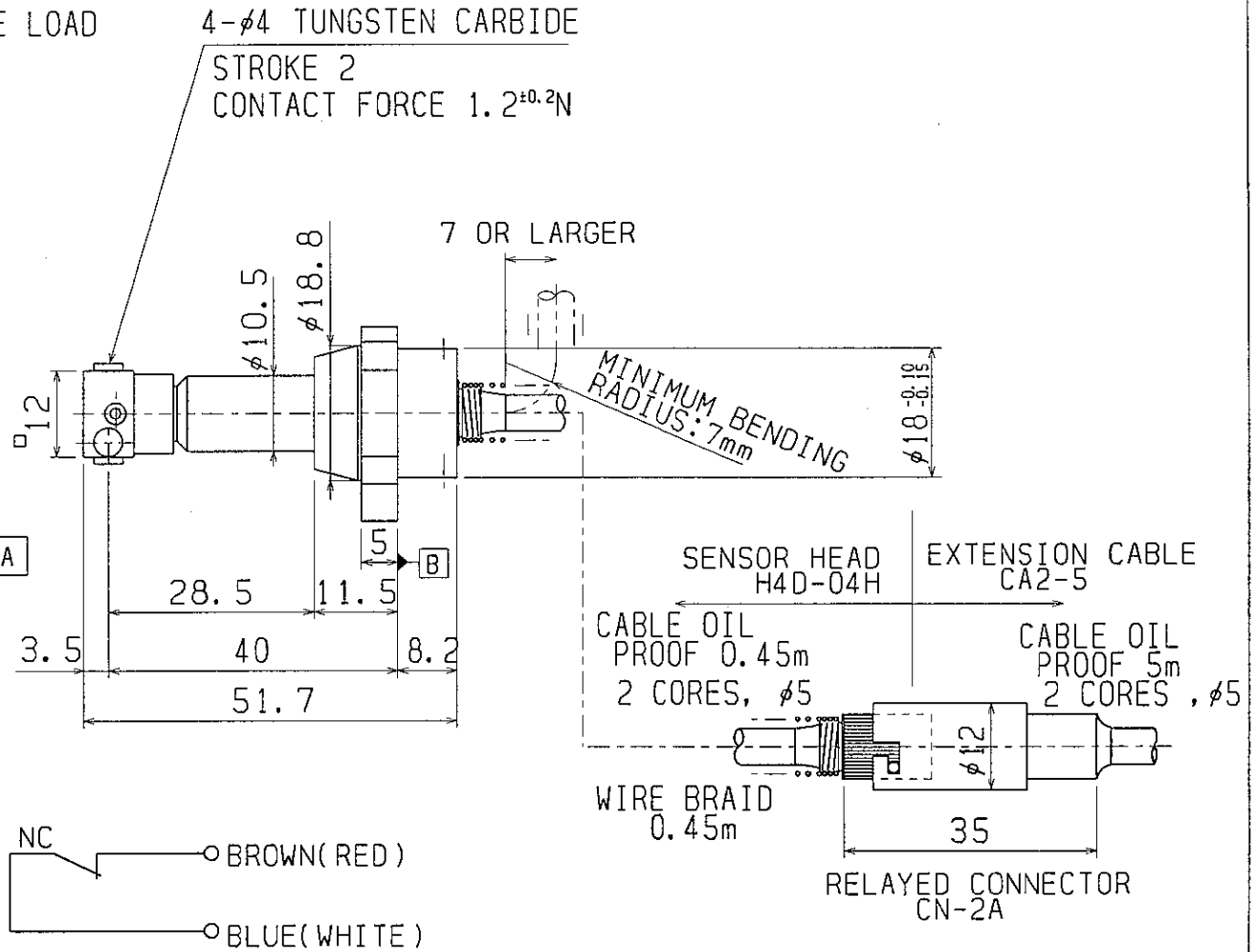
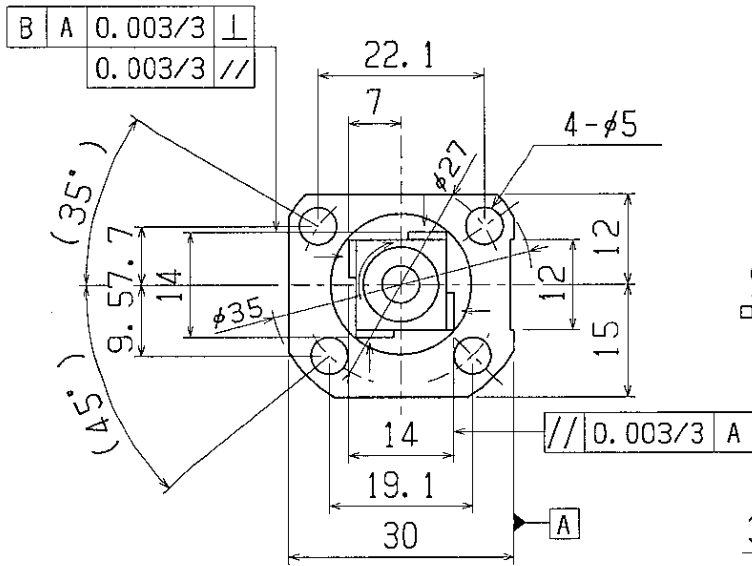


OPERATION MODE : NORMALLY CLOSED
 REPEATABILITY OF SKIP SIGNAL : 0.001mm
 RECOMMENDED OPERATING SPEED : 50~200mm/min
 RATING : DC24V 20mA(M_{ax})
 (RECOMMENDED 10mA)NON-INDUCTIVE LOAD
 DEGREES OF PROTECTION : IEC IP67



SET NUMBER: H4D-04S

COMPOSITION

SENSOR HEAD : H4D-04H
EXTENSION CABLE : CA2-5

MINIMUM BENDING RADIUS: 7mm

APR	CHK	DRA	1/1	METROL LTD.	NAME	TOOL SETTING PROBE
					DRAWING NUMBER	H4D-04S
MURAI		05.06.08			METROL	