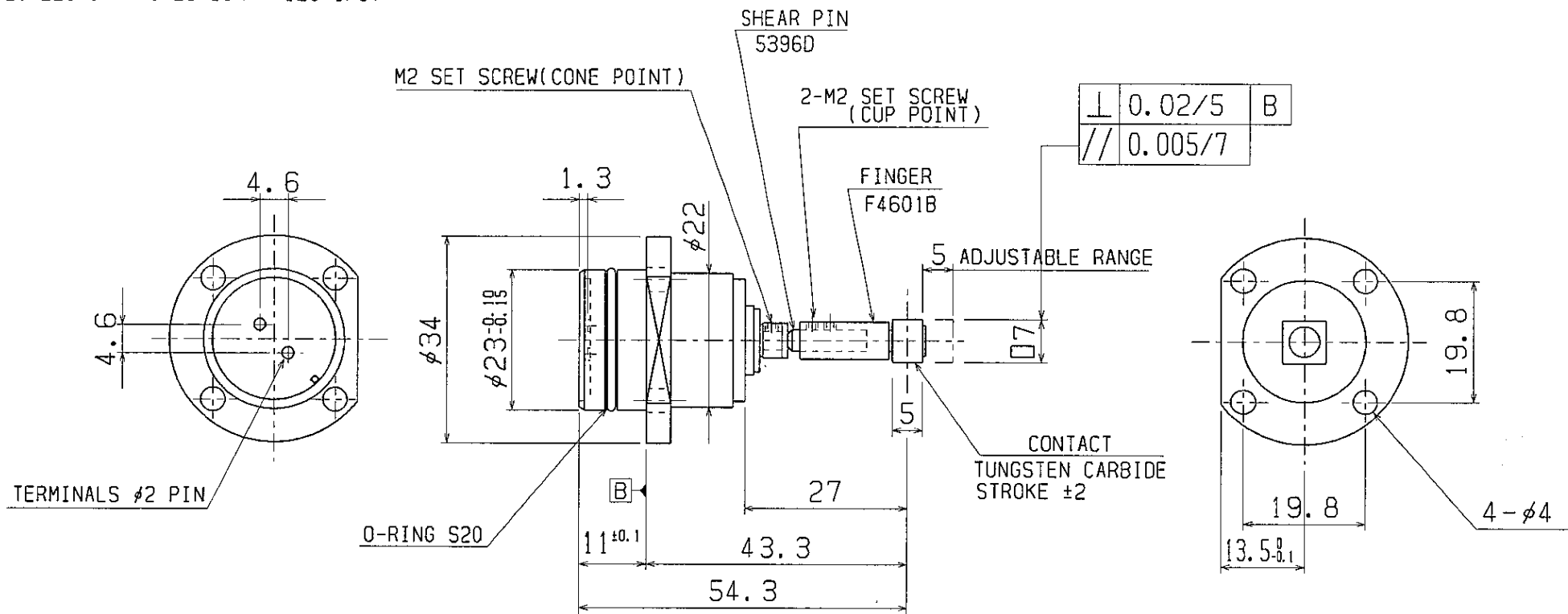


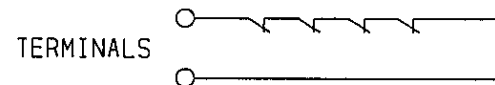
OPERATION MODE: NORMALLY CLOSED
 REPEATABILITY OF SKIP SIGNAL : 0.002mm (2σ)
 RATING : DC24V 10mA(RECOMMENDED)
 (MAX. 20mA) NON-INDUCTIVE LOAD
 DEGREES OF PROTECTION : IEC IP67



SET NUMBER H4E-51S

COMPOSITION
 SENSOR HEAD H4E-51H
 (FINGER F4601B)
 (SHEAR PIN 5396D) ASSEMBLED

FURNISHED ACCESSORY
 SHEAR PIN 5396D 2 PCS
 HEXAGON SOCKET SCREW KEYS
 (WIDTH ACROSS FLAT 0.9) 1 PC



SUPPLY POWER AT MEASURING CONDITION

APR	CHK	DRA	NAME	TOOL SETTING PROBE
		01.4.9	DRAWING NUMBER	H4E-51S
		HIJIKATA	1/1	METROL LTD. METROL