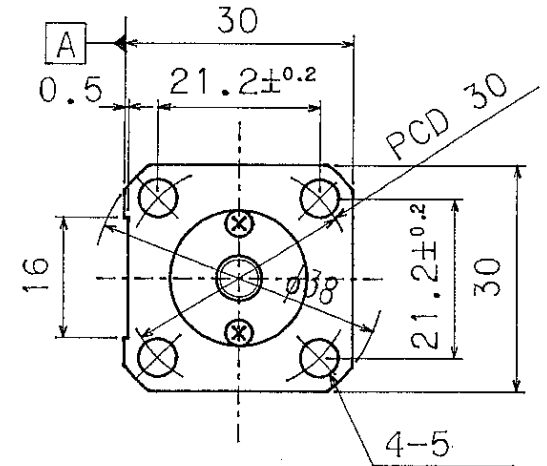
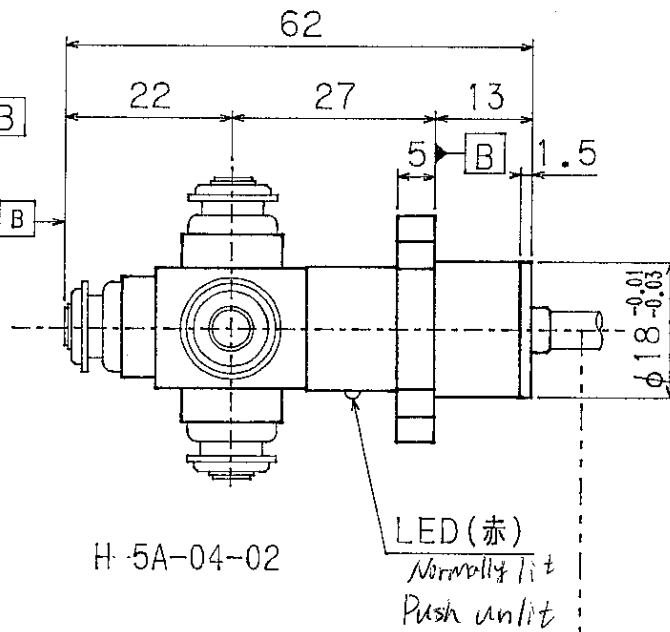
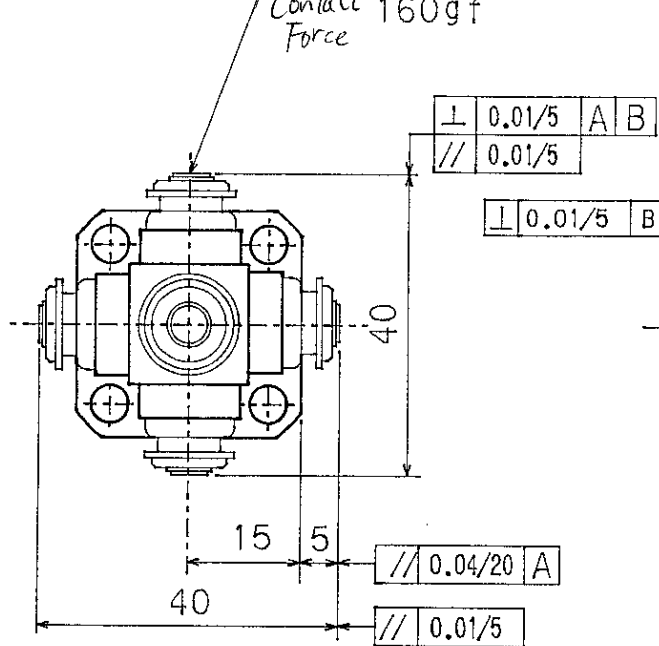
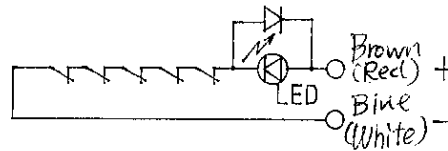
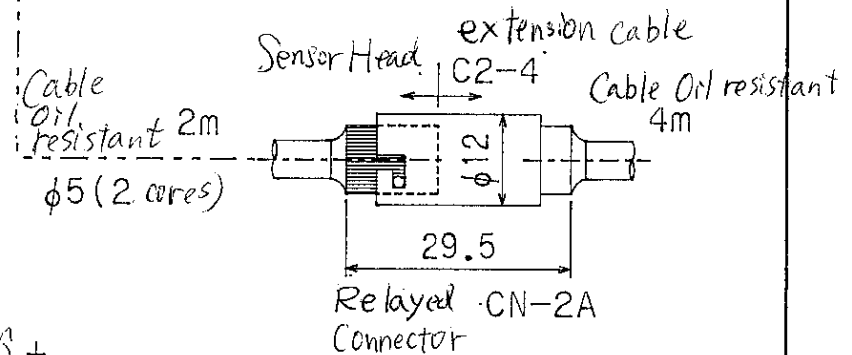


Tungsten Carbide $\phi 5$
Stroke 2
Contact Force 160gf



Rating: DC24V 20mA(max)
 Repeatability: 0.001mm
 Degrees of Protection: JIS0920(IEC IP68)

Composition: Sensor H-5A-04-02
 Extension Cable C2-4



重量 120g

93.11.09



1/1

品名	Tool Setting Probe
図番	H-5A-04-02S
METROL Metrol Co., Ltd.	