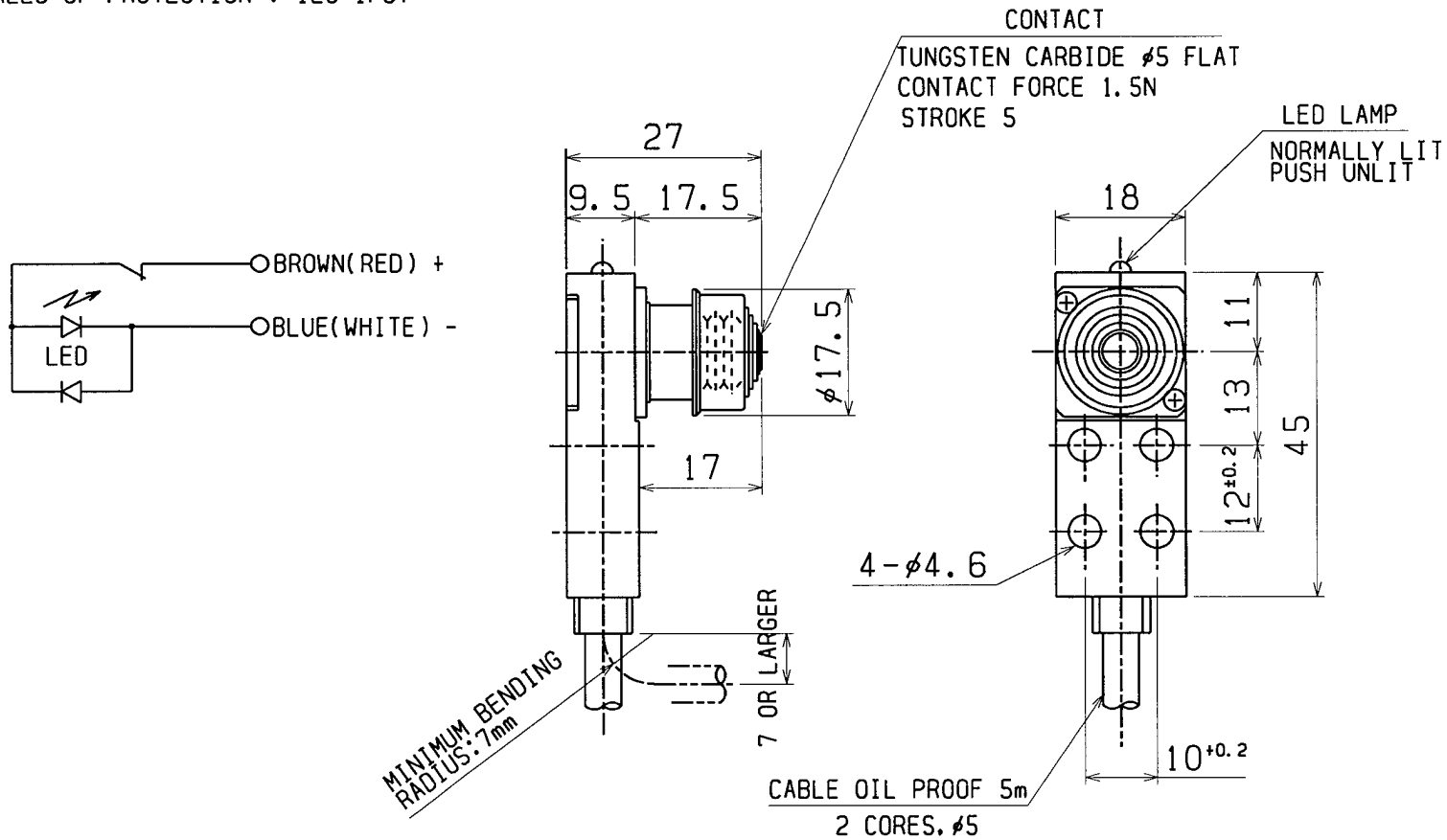


REPEATABILITY OF SKIP SIGNAL : 0.005mm
 RECOMMENDED OPERATING SPEED : 100~200mm/min
 RATING : DC24V 20mA(Max)
 (RECOMMENDED 10mA) NON-INDUCTIVE LOAD
 DEGREES OF PROTECTION : IEC IP67



	NAME	MT-TOUCH SENSOR
	DRAWING NUMBER	TP11C-22-06
1/1		METROL

APR	CHK	DRA
		04.4.30
		HIJIKATA