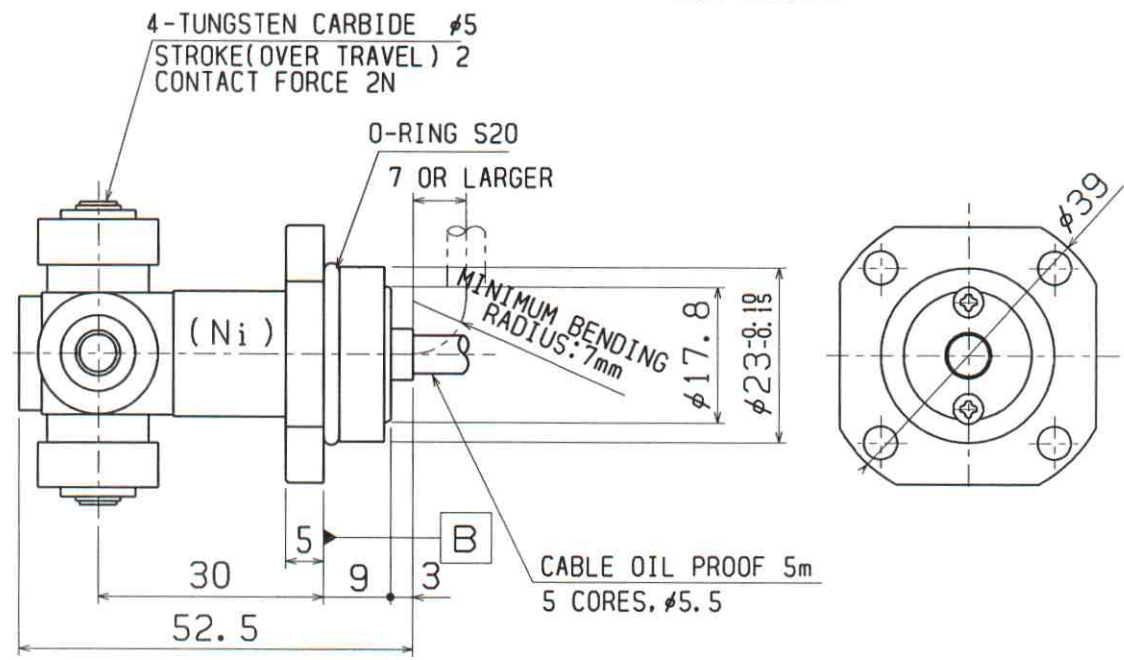
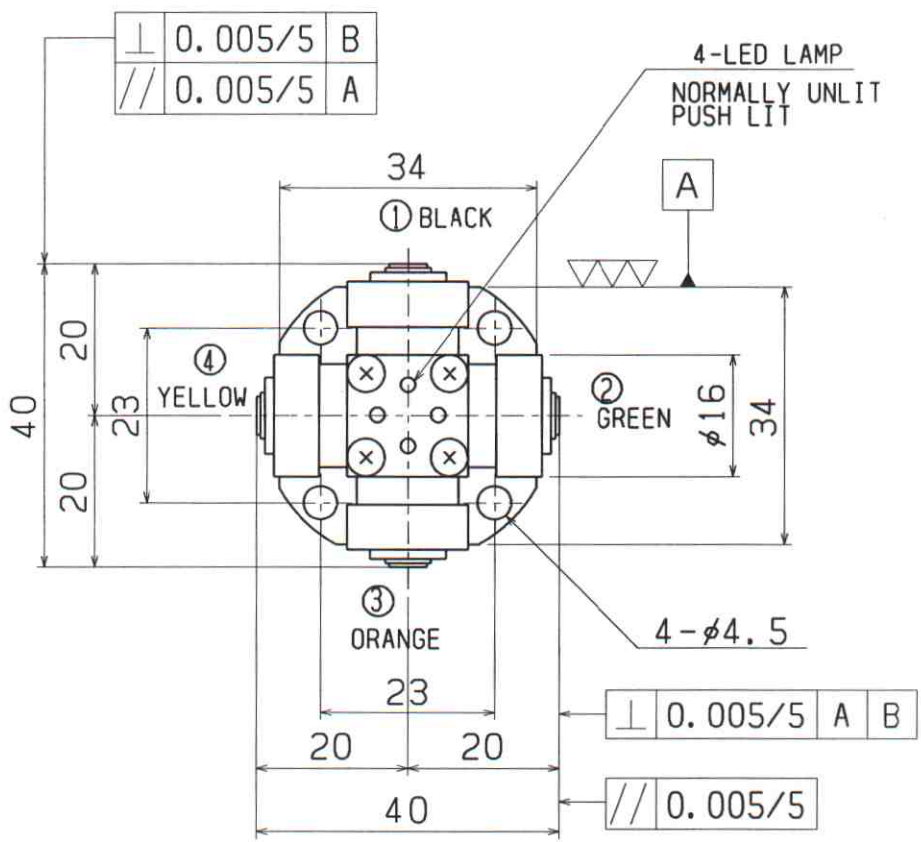
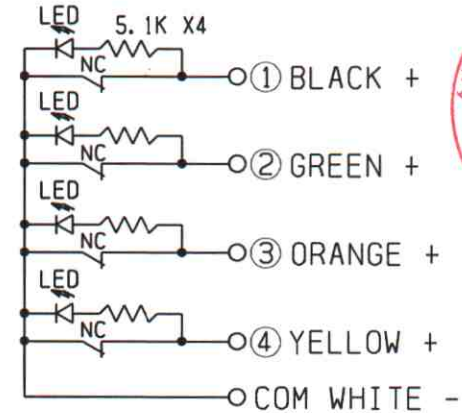


OPERATION MODE : NORMALLY CLOSED
 REPEATABILITY OF SKIP SIGNAL : 0.001mm
 RECOMMENDED OPERATING SPEED : 50~200mm/min
 RATING : DC24V 20mA(Max)
 (RECOMMENDED 10mA) NON-INDUCTIVE LOAD
 DEGREES OF PROTECTION : IEC IP67



A4			NAME TOOL SETTING PROBE	
			DRAWING NUMBER H4A-18-50	
APR	CHK	DRA		
		REV06.09.20		
		TOYOZUMI	1/1	METROL LTD. METROL

REV 06.09.20
 DRA 02.03.11